

Anchorage Intelligent Strength



Features & Benefits

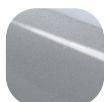
- **Classic lift on/lift off or lift out flag design**
Traditional assembly, ease of fitting, allows sash removal in low ceiling applications
- **Long reach sash plate with integral fixing lugs**
Optimal strength and stability with 4 screws locating into the profile's steel reinforcing
- **True 3D adjustment with supplied allen keys**
Allows for final tweaking and perfect sash alignment
- **Available in 14mm, 17mm and 21mm stack heights**
Works with all major profile systems
- **Security sash cover cap and extended pin**
Prevents intruder from removing cover cap and lifting the door out



White



Black



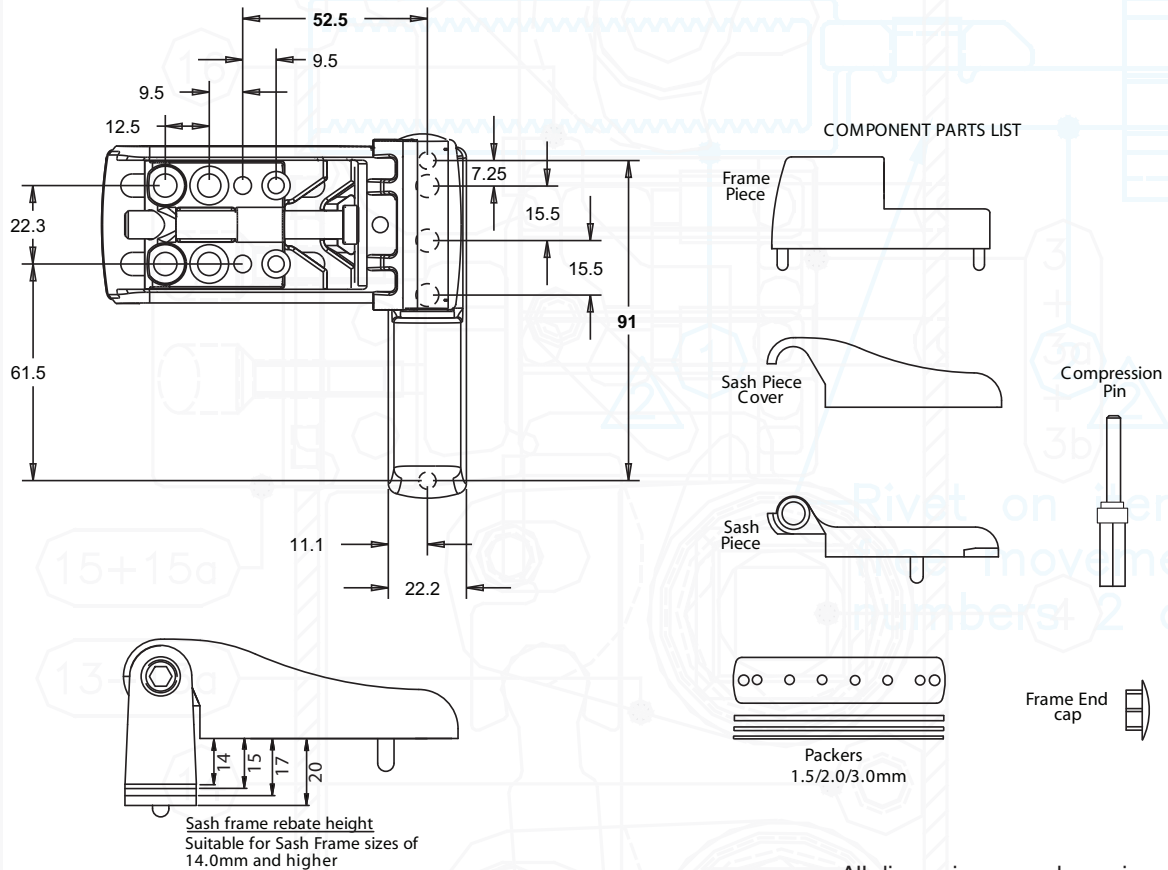
Silver



Gold

Fab&Fix

Anchorage Intelligent Strength



Additional Benefits

- **Dual mount fixings for optional use of M6 screws**
For an even stronger hold
- **Colour coordinated cover caps**
Perfectly matching hardware, even down to the smallest details
- **Tray based packaging, 3 hinges per tray**
Convenient full door assembly
- **30kg sash weight load per hinge**
Support up to 90kg with 3 hinges
- **Individual or telescopic fixing jigs available**
Faster, more accurate fabrication
- **Suitable for interior or exterior fitting**
Convenience for the fabricator

Technical Specification

Designed for PVC-U doors

All finishes salt spray tested to 480 hours (BS EN 1670: Class 5)

Tested to 200,000 cycles

Tested as part of a complete door set that successfully achieved PAS23

Tested with 3 hinges up to 90kg sash weight

Horizontal adjustment of +10mm/-7mm; height adjustment of +4mm/-2mm; compression adjustment of +/-1.5mm

Includes 3mm, 2mm & 1.5mm packers

Product Codes

Anchorage Intelligent Strength

Size	White	Black	Silver	Gold
14mm	2A000	2A001	2A002	2A003
17mm	2A050	2A051	2A052	2A053
21mm	2A100	2A101	2A102	2A103